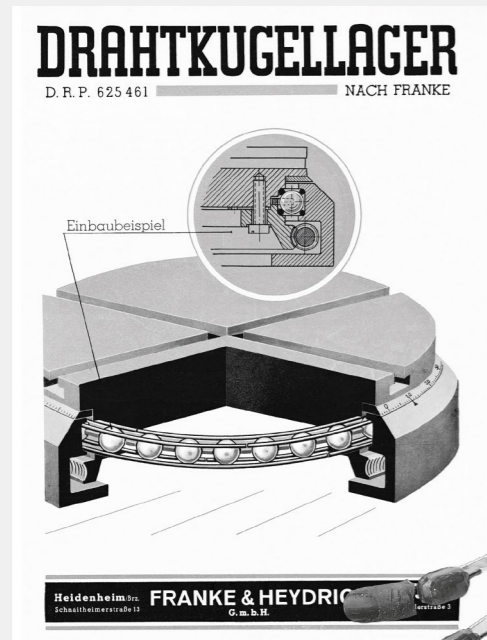


This is Franke.



The Consideration

Crucial for the function and performance of a rolling bearing are raceways which are precisely adapted to the rolling elements.

Our Invention

We insert race rings of hardened wire in an enclosing structure. This concept ensures maximum functionality of the bearing - regardless of the material and geometry of the housing parts.

Your Benefit

Due to this design principle wire race bearings require only little space. Material and shape of the enclosing structure are completely unlimited. Thus saving weight and minimizing drive power.

The Times are changing – the Principle remains.

The first brochure about Wire Race Bearings from the year 1949 and Wire Race Bearings as an innovation impulse for modern handling robots.



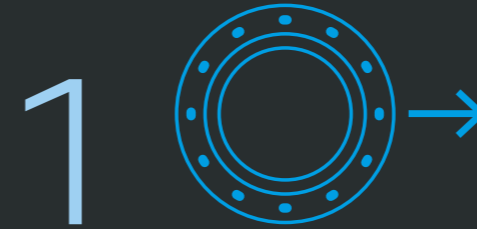
Discover more exciting
milestones from Franke:
www.franke-history.com



4 point-contact principle to take equal loads from all directions.

28

representations worldwide offer their services close to our customers.



1 new prototype of a customized special bearing leaves the factory on average per week.

95%



of our products are bespoke versions of our bearings and linear systems.

1 to 12 mm

are the diameters of our hardened steel wires used as raceways.

340

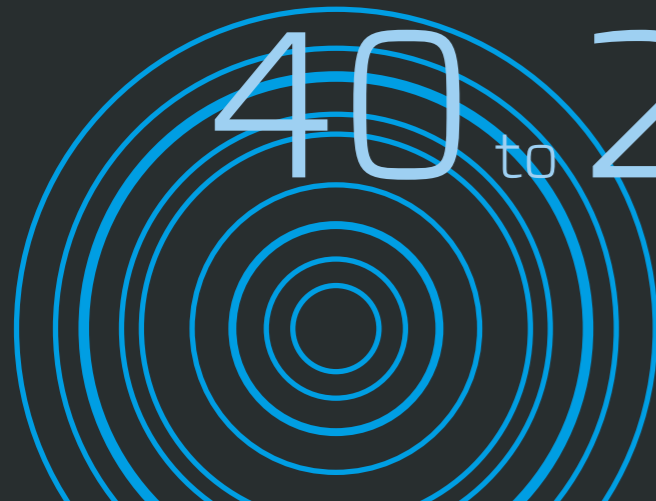


employees take care of the needs of our customers at our headquarters in Aalen, Germany.



40 to 2.000 mm

is the diameter range of wire race bearings we produce.

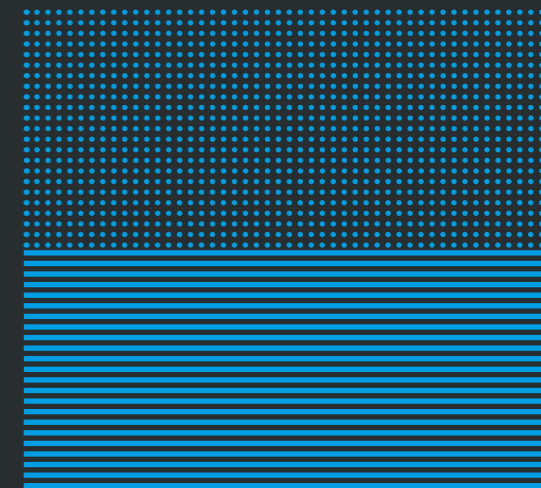


110.000

bearings of different kinds and sizes and

40.000 m

of linear guides leave the company per year.





We are representing the many excellent employees at Franke, the high quality standards of our products and services, as well as our brand values. This is Franke.

Daniel Groz
General Partner,
General Manager

Sascha Eberhard
General Manager

Innovation in Motion

Franke is the inventor of the Wire Race Bearing and the world leader in the development and manufacturing of lightweight movement systems. Our product range includes rotary and linear components with and without drive.

Our core competence is the development of innovative solutions together with our customers. The great versatility of Wire Race Bearings always leads to an optimal solution for the respective application.

Our motivation is to establish the Franke principle in ever new fields of application. The highest standards of technology, quality and customer service are always the focus. This makes our products fit for future challenges and inspires our customers.

Overcome the Limits

This high-tech 3D-laser-printed aluminum wire race bearing has a diameter of 300 mm and weighs 0.8 kg - 14 times less than a comparable steel bearing.



Completely customizable

For example, you can obtain wire race bearings with these properties:



corrosion resistant



food-compatible



highly dynamic



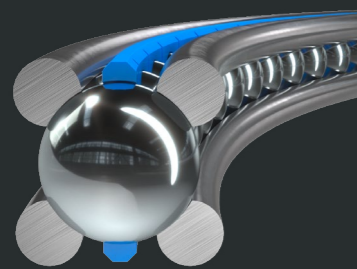
lubricant-free



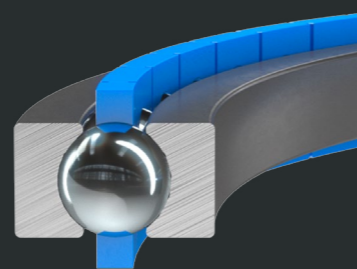
lightweight



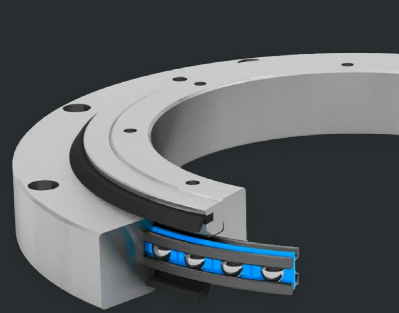
extremely cold
and heat resistant



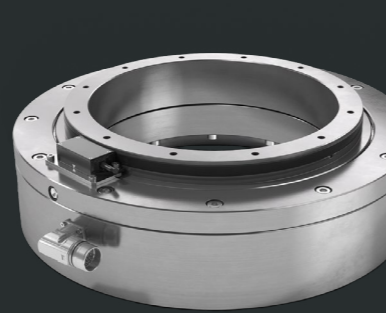
Bearing Elements



Slim Bearings



Bearing Asssemblies

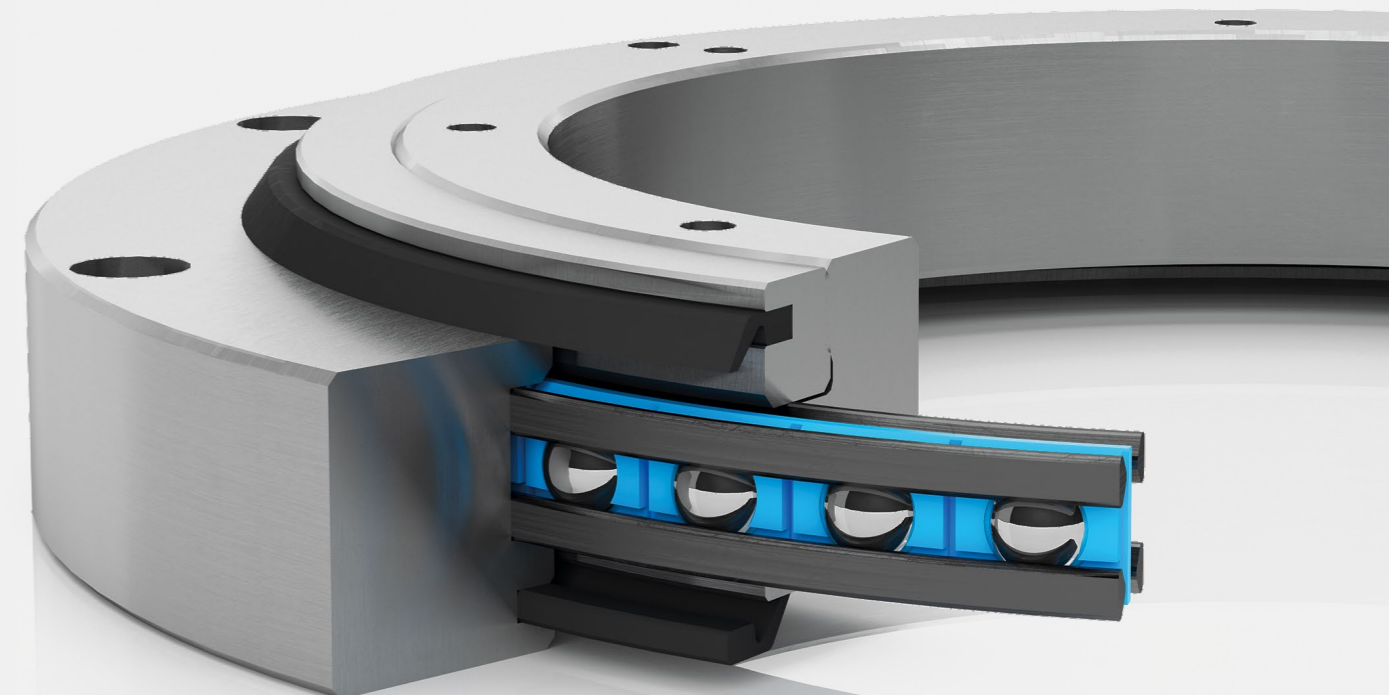


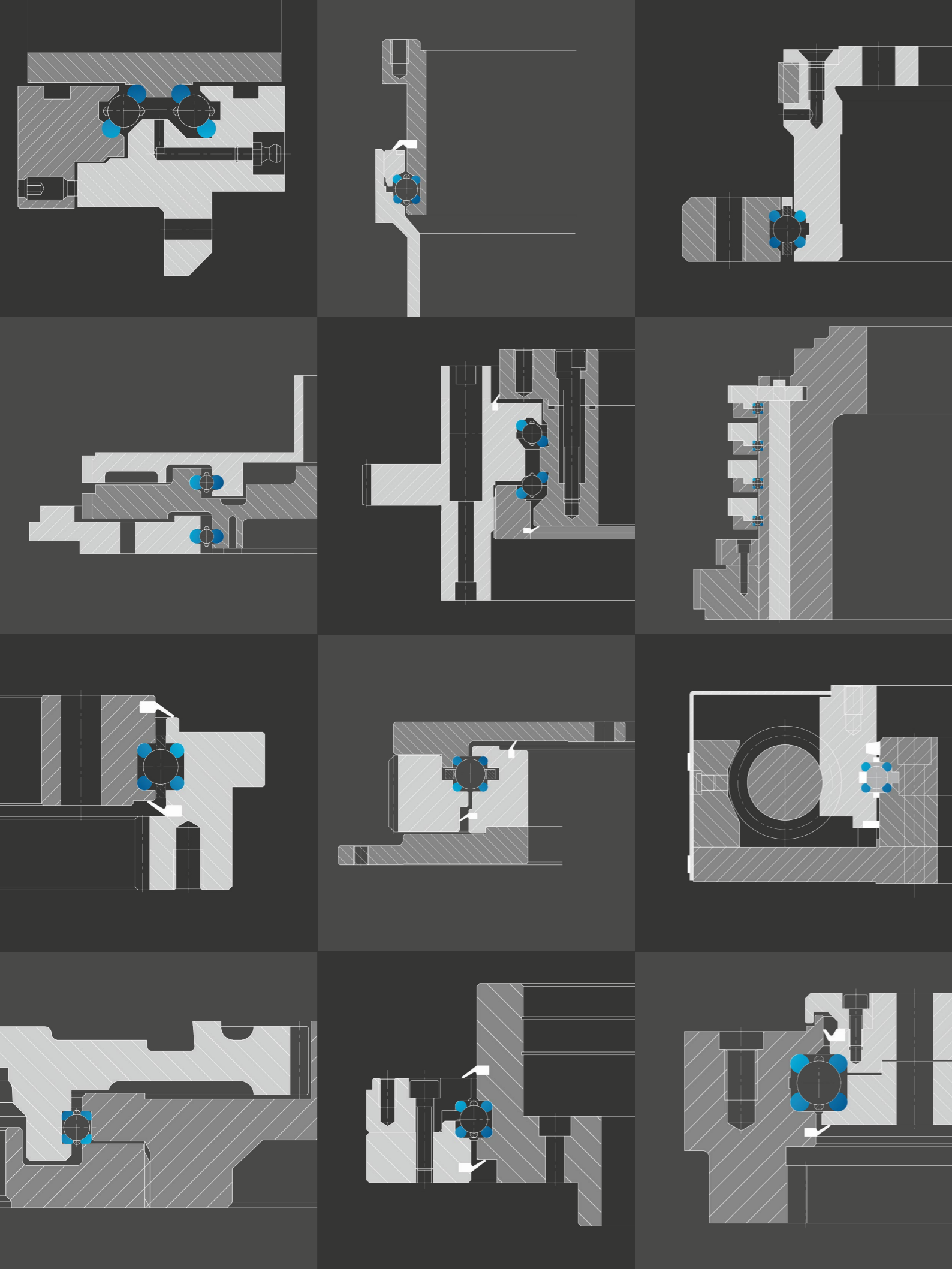
Rotary Torques

Wire Race Bearings

Franke Wire Race Bearings are compact, lightweight and strong. They are equipped with our 4-point-contact system and ground raceways. Available with diameters from 40 to 2,000 mm, as bearing elements, slim bearings, bearing assemblies, motorized rotary tables and integrated direct drives.

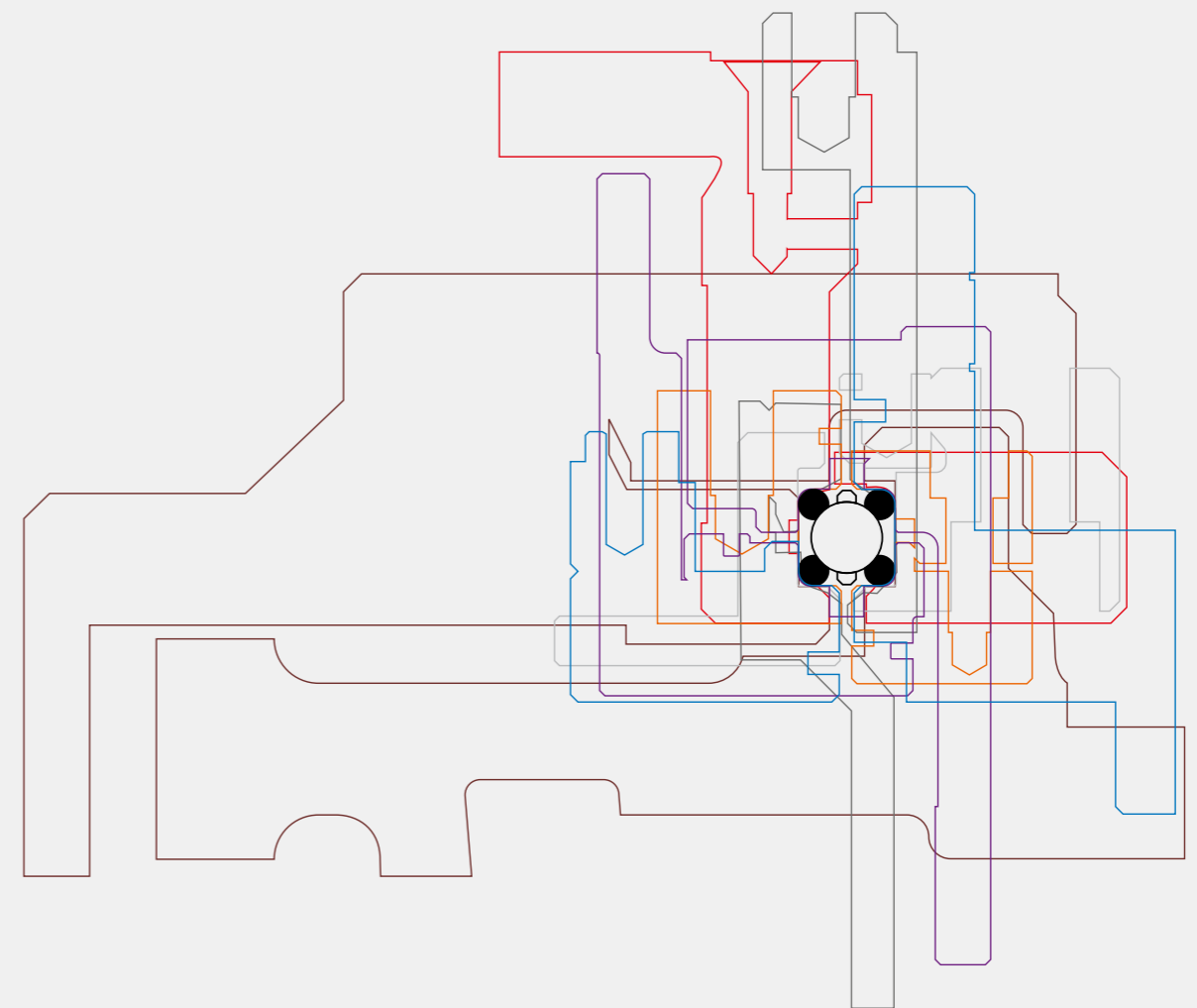
Watch this Video to see the special feature of the Franke principle for Rolling Bearings.





Infinite Possibilities

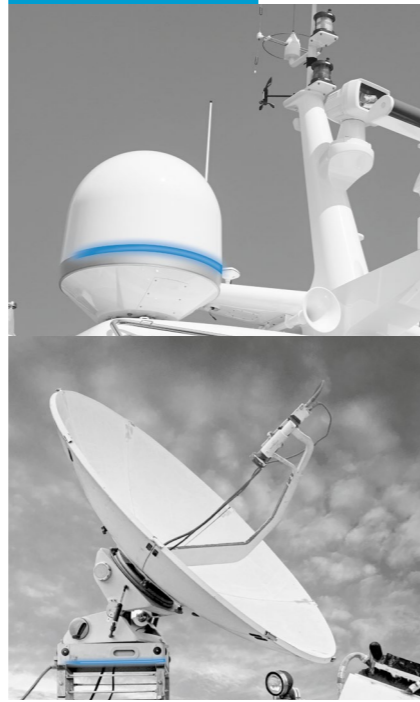
Franke Wire Race Bearings are space-saving, variable and individually adaptable. Together with our customers we develop the optimal solution for every application.



Automotive



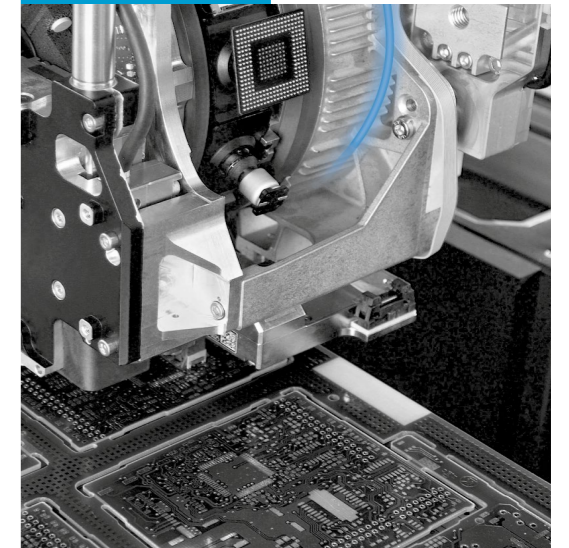
Satellite Antennas



Computer Tomograph



Placement Head



Aerial Camera



Filling Station



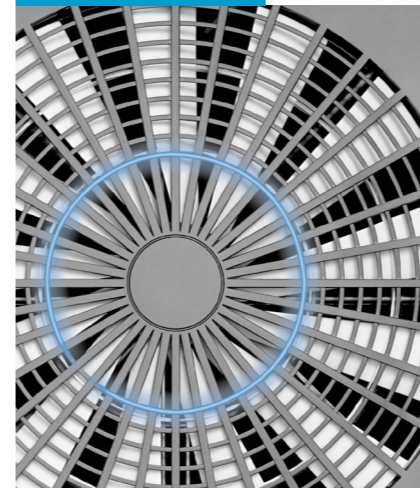
C-Bow X-Ray Unit



For All Industries

Franke Wire Race Bearings offer substantial design freedom and free selection of material. The minimal mounting space is ideal for innovative design.

Air Ventilation



Direct Drive



Safety Technology



E-Mobility



Tool Changer



Completely customizable

For example, you can obtain linear systems with these properties:



amagnetic



food-compatible



highly dynamic



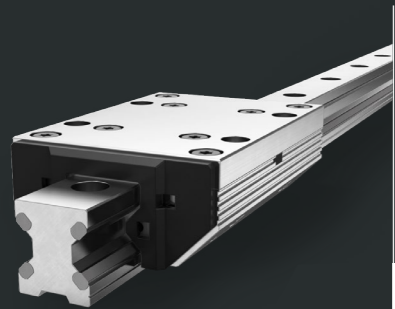
lubricant-free



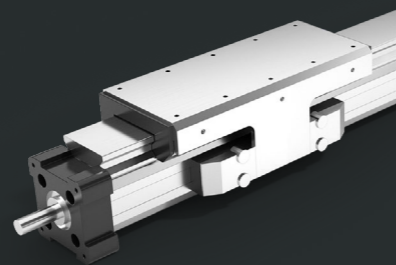
suitable for
cleanrooms



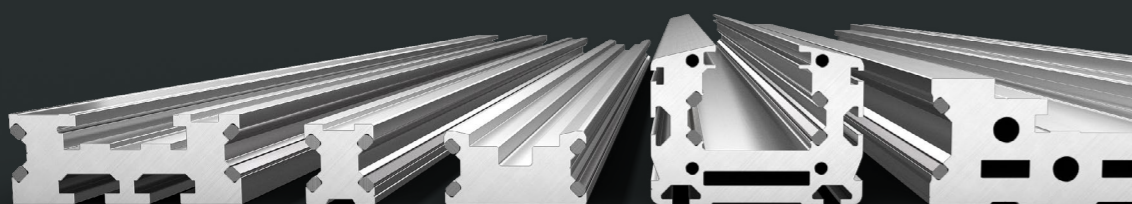
anodized in
color



Double Rail with
Cassette



Linear Tables
Linear Modules

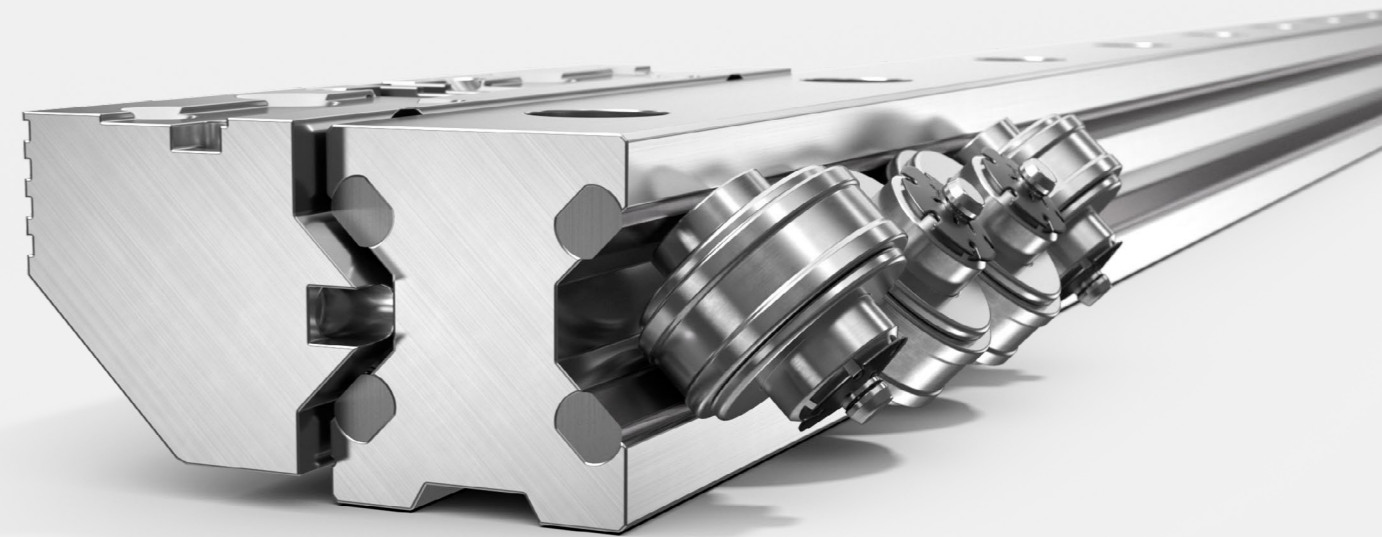


Custom Profiles

Linear Systems

Franke Aluminum Linear Systems with aluminum body, steel raceways and crosswise arranged rollers for loads from all directions. V_{max} 10 m/s, acceleration 100 m/s², with and without drive.

Watch this Video to see the
special feature of the Franke
principle for Linear Systems.



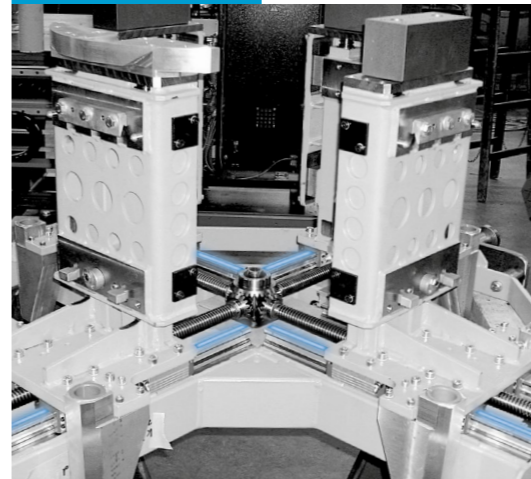
Dental X-Ray Unit



Food Production



Pick & Place



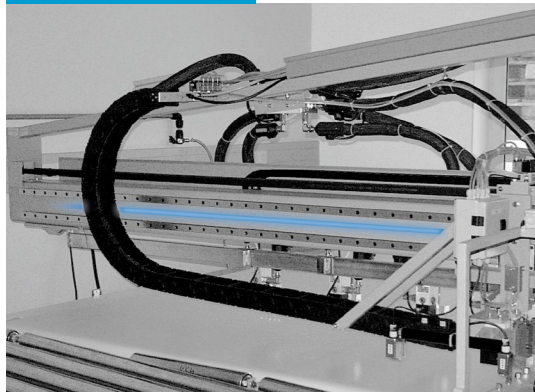
Bespoke Profiles



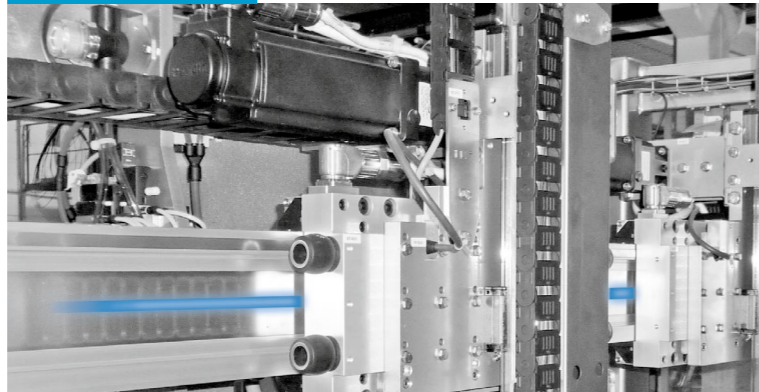
Linear Lightness

Franke Aluminum Linear Systems with and without drive are light and silent, highly dynamic and maintenance-free. With serial production, they are also available with individual rail profiles and cassette design.

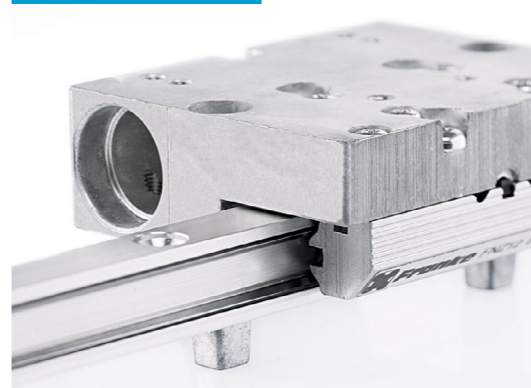
Packaging



Packaging



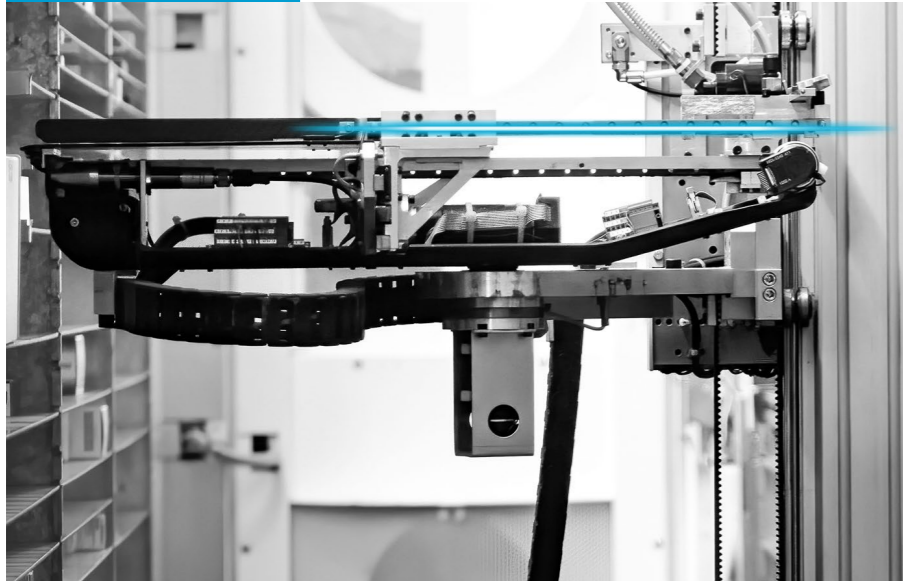
Bespoke Cassette



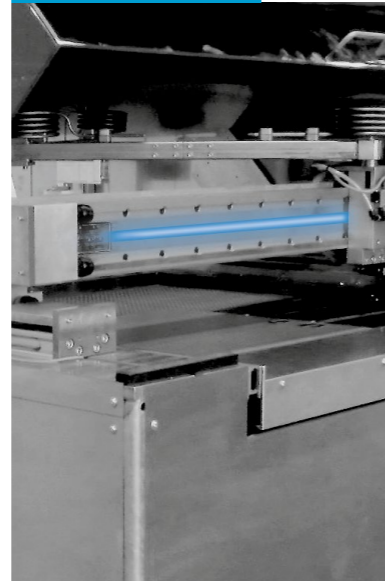
Camera Slider



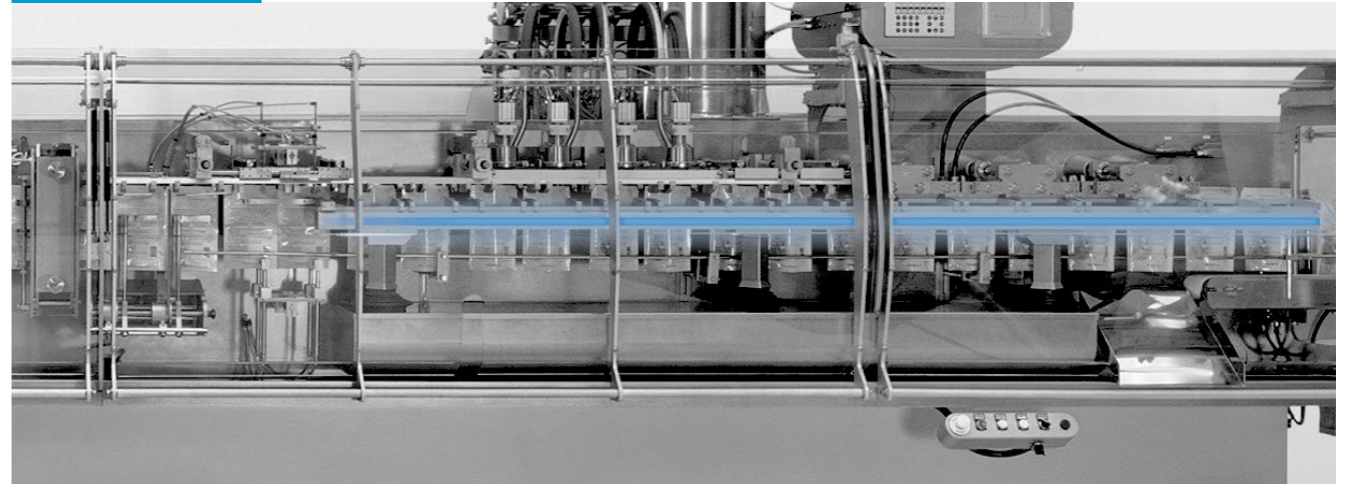
Pharmacy picking system

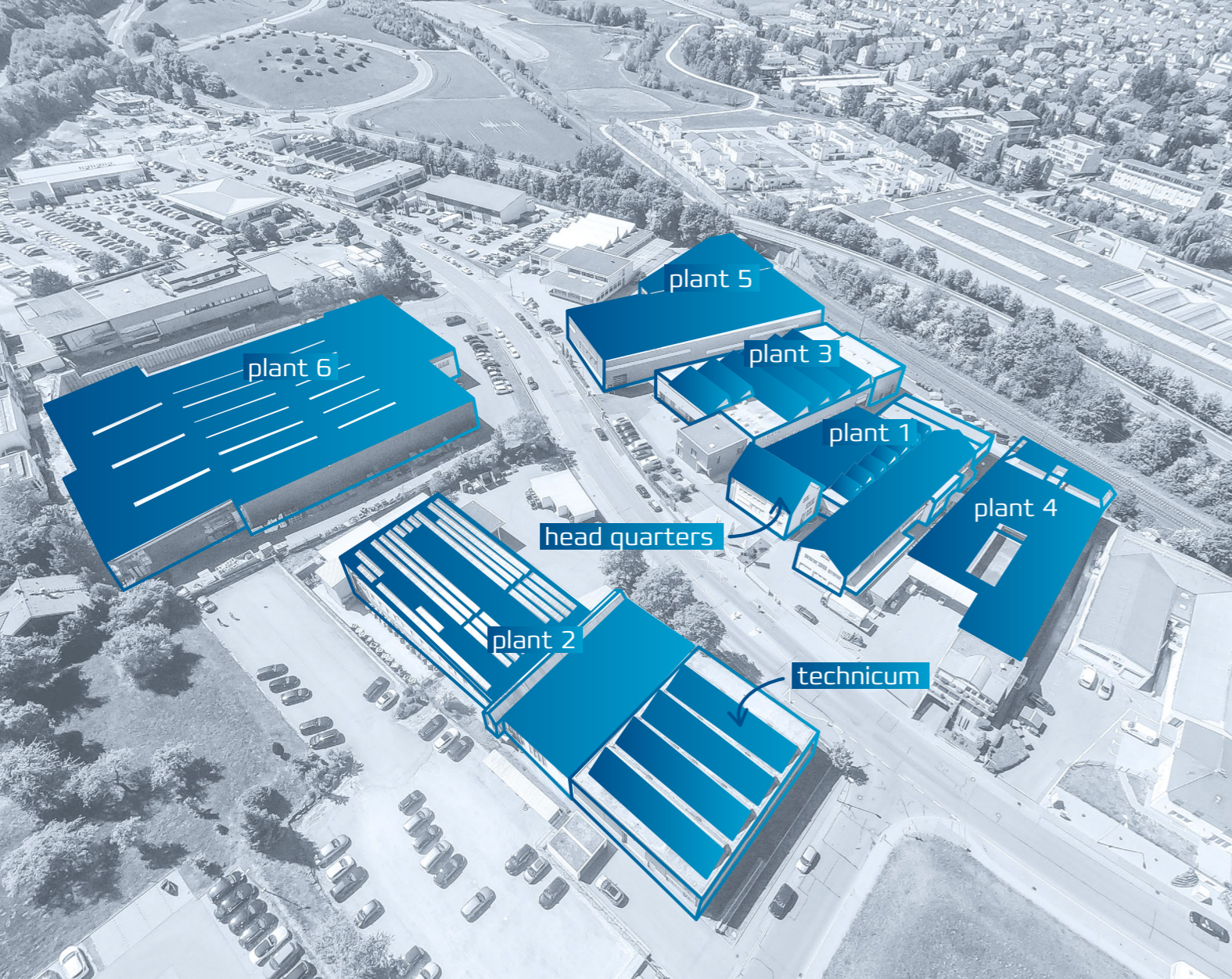


Water Cutting



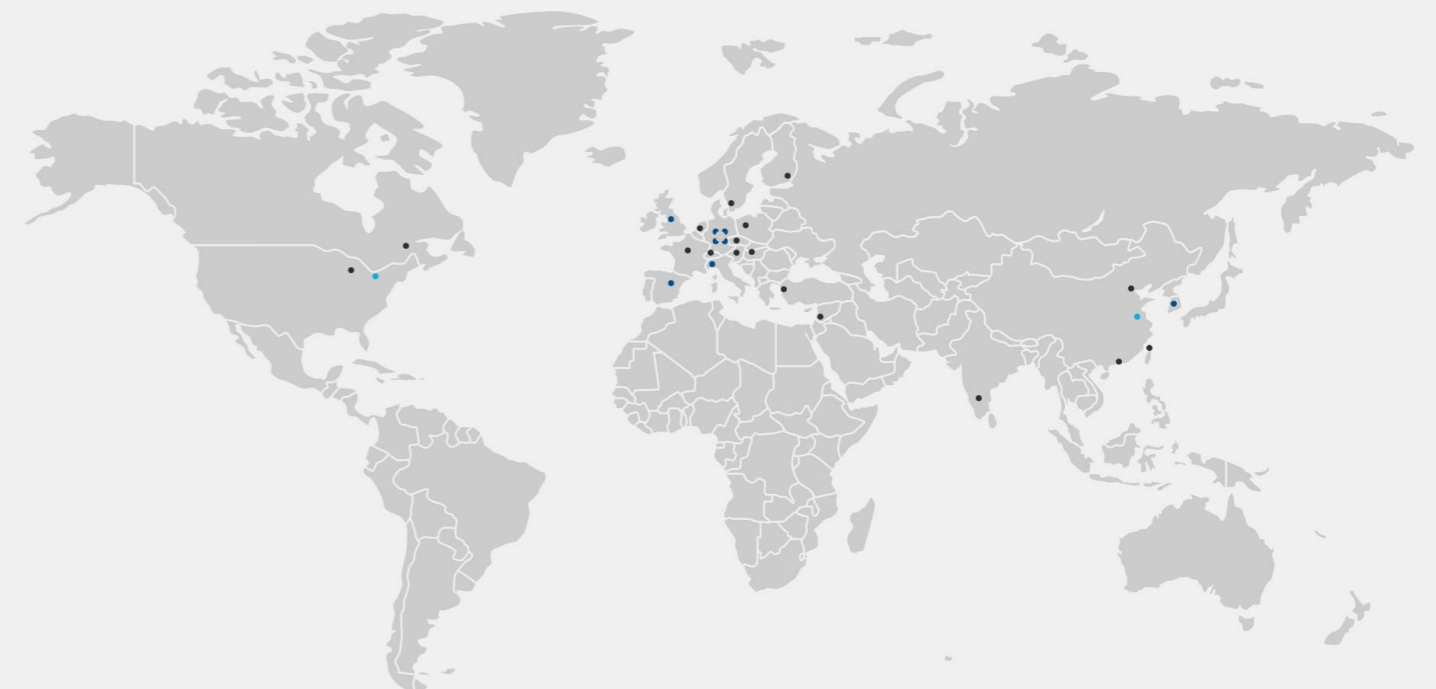
Food Packaging





Franke Worldwide

Franke Wire Race Bearings and Linear Systems are available worldwide. Representatives and partners in numerous countries support our customers with advice and service offers. Cooperations with strong partners in North America and Asia enable on-site production and help us deliver to our customers quickly and cost-effectively.

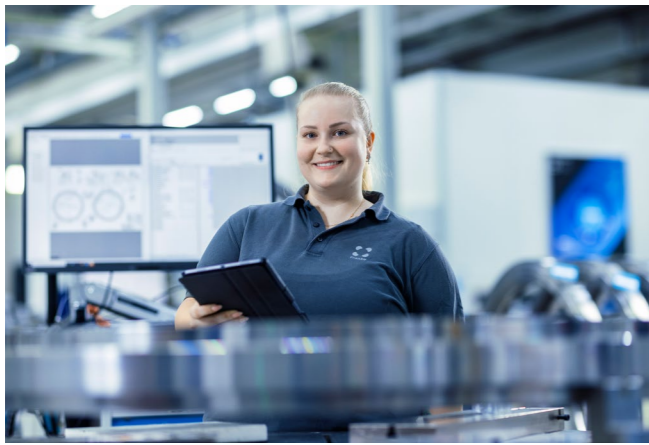


- Headquarters
- Commercial agency
- Exclusive representation
- Cooperation partner

- plant 1**
 1956
 administration, wire processing, warehouse
- plant 2**
 1977
 machining Special bearings
- plant 3**
 1990
 production of linear systems
- plant 4**
 2004
 matrix special bearings, quality management, IT, logistics
- plant 5**
 2017
 production CT warehouse (until 2024)
- plant 6**
 2024
 production CT warehouse (from 2025), company restaurant
- technicum**
 2010
 prototypes, training, academy
- head quarters**
 1956
 former Franke family home, business management

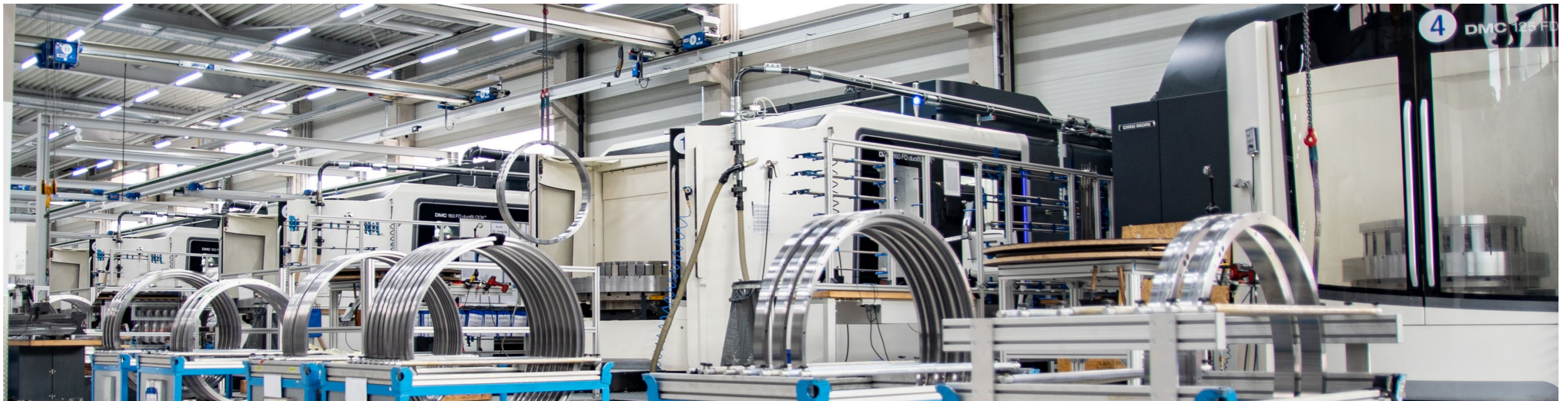
The new plant 6 from 2025:





Planning, Production, Processes

Our quality features precision, longevity and reliability are based on precise planning as well as on harmonized and fast processes. We produce on high-performance machining centers and Franke-specific special machines. Complex tests and precision measurements ensure top quality.





Discover the numerous industries in which Franke Wire Race Bearings and linear guidance systems are used.



Read more about the successes our customers have had thanks to Franke products and watch the customer story videos!



Your new MyFranke customer portal is available quickly and 24/7. Register now and save 5% on your first online order.



Franke GmbH
Obere Bahnstraße 64
73431 Aalen, Germany
Tel. +49 7361 920-0
Fax +49 7361 920-120
info@franke-gmbh.de

www.franke-gmbh.com

